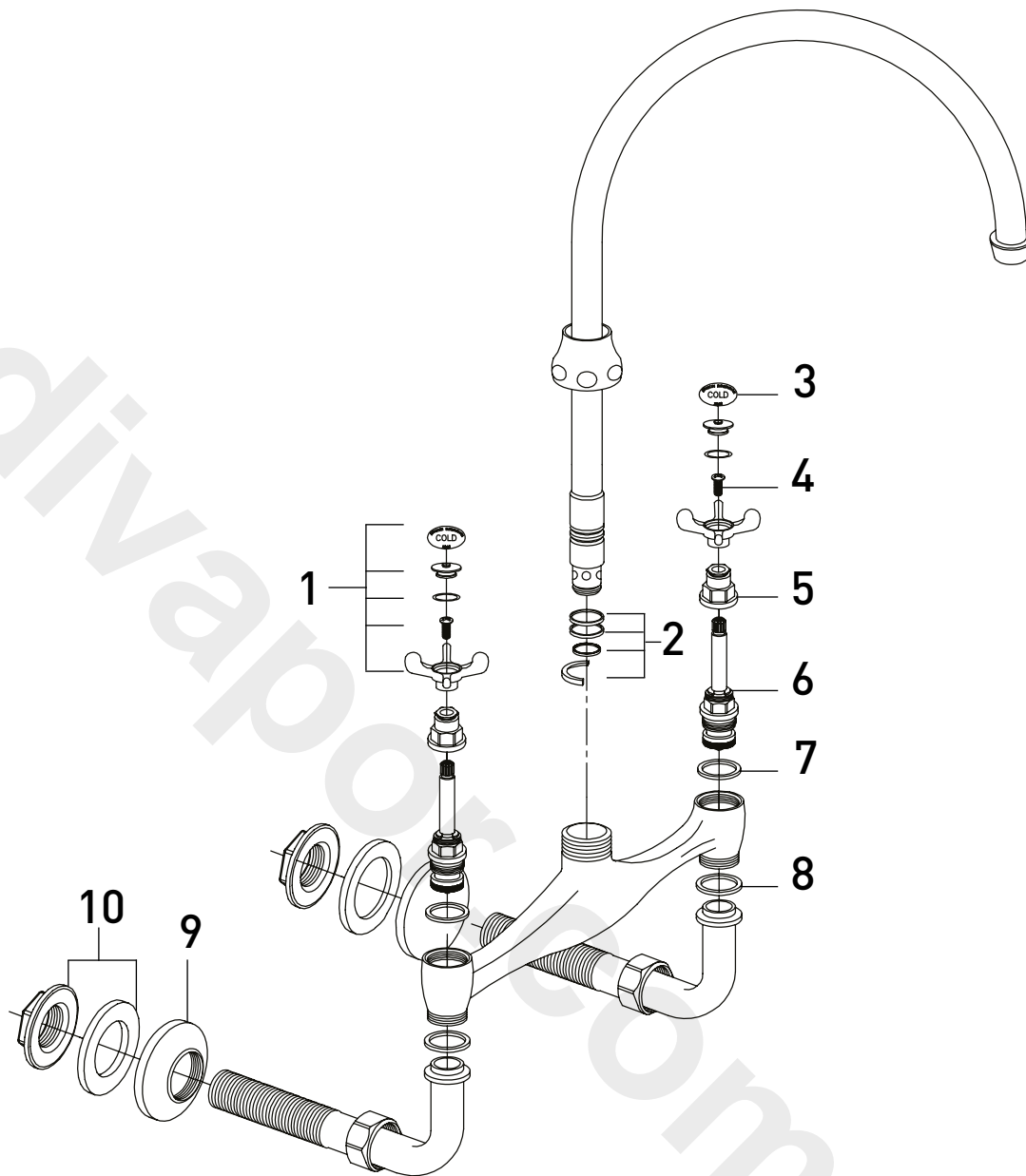


Product Code: N WMDSM C

Revision: D2



1	Handle Assembly (Pair)
2	Spout Seals Kit
3	Indices (Pair)
4	Handle Screw
5	Shroud
6	1/2" Ceramic Disc Valves (Pair)
7	Washer
8	Leg Washer
9	Leg Shrouds (Pair)
10	Backnut & Washer